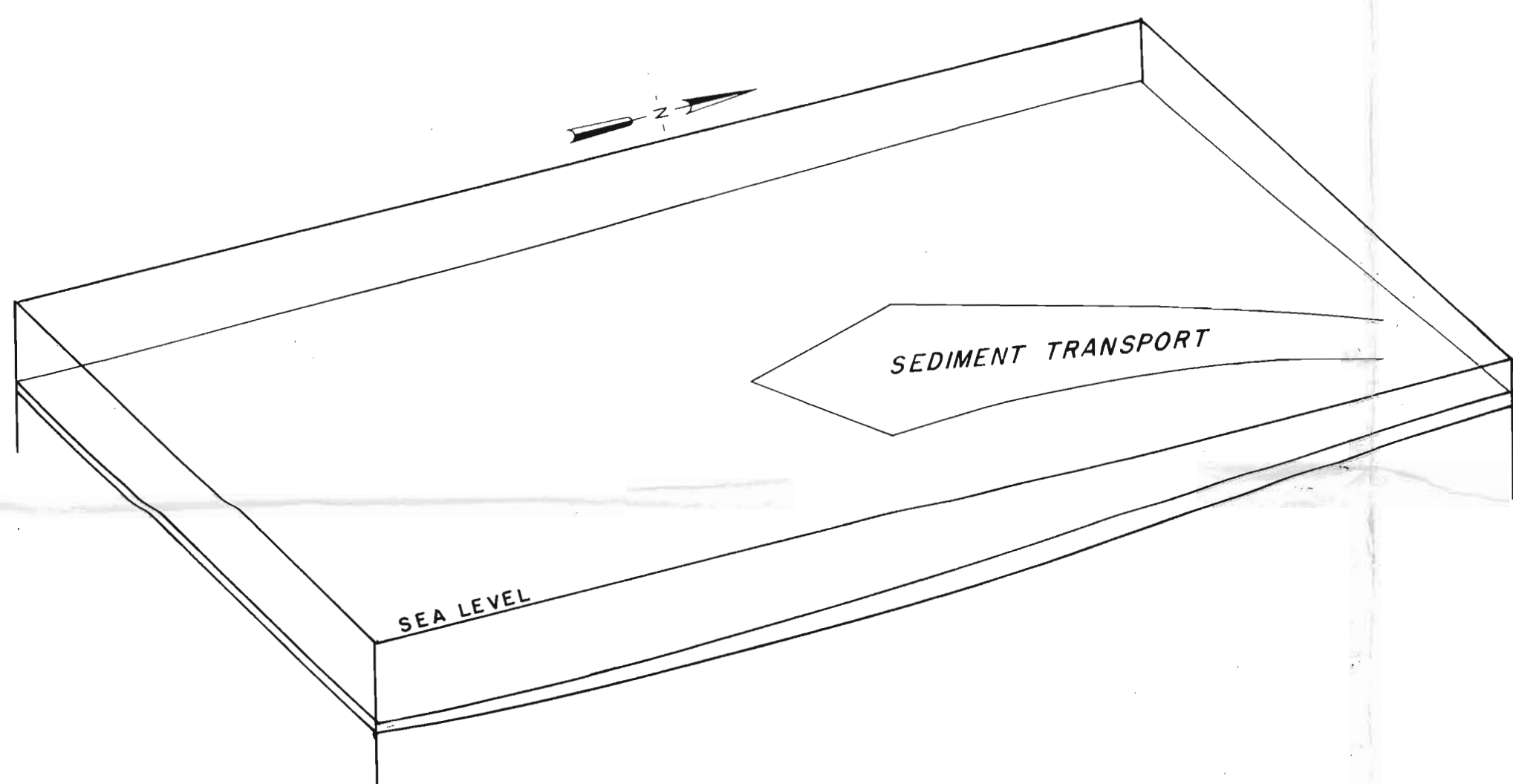
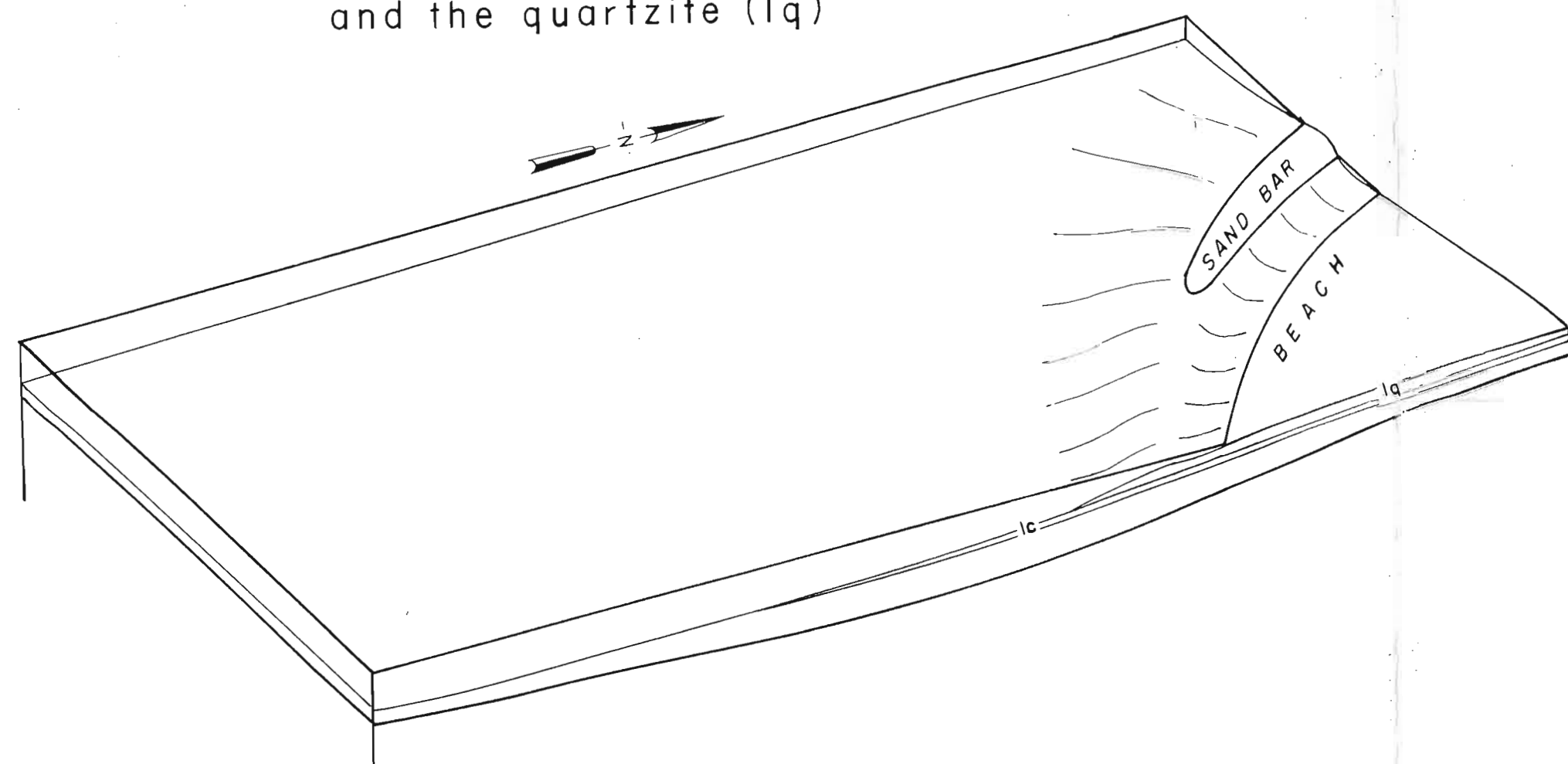


# EVOLUTION OF THE RANKIN INLET GROUP

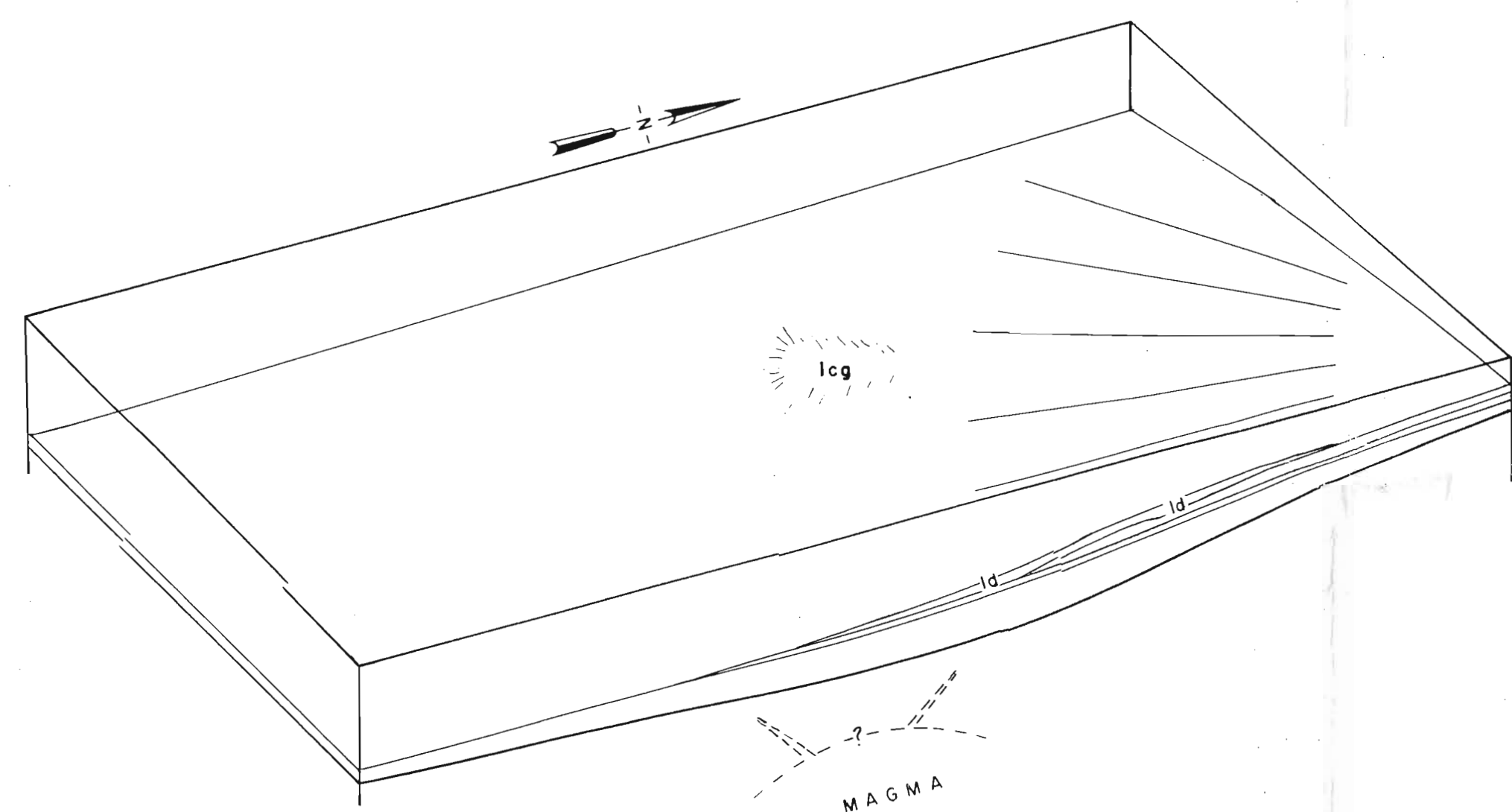
STAGE I: Deposition of the greywackes



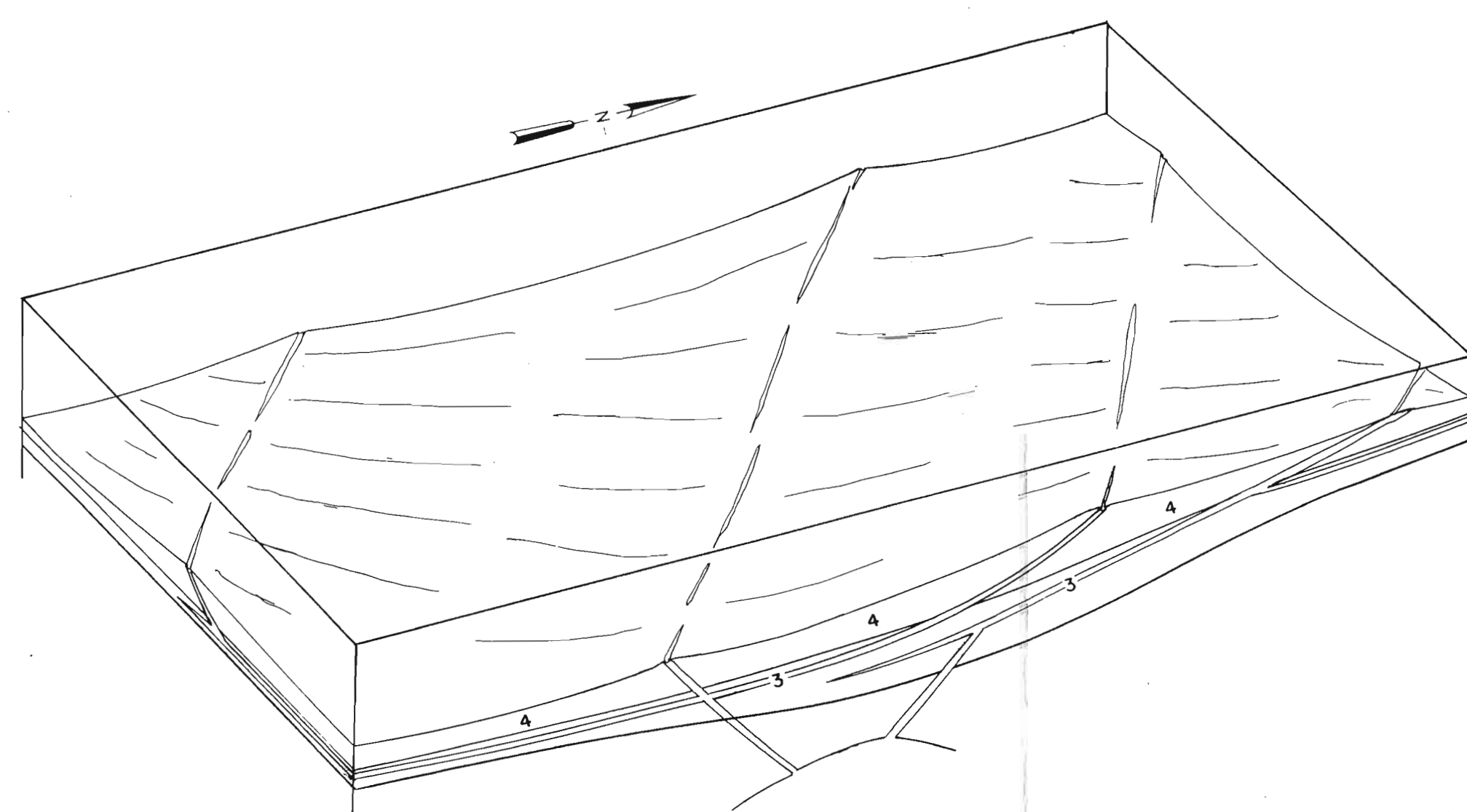
STAGE II: Regression of the sea, deposition of the carbonate-rich greywacke (lc) and the quartzite (lq)



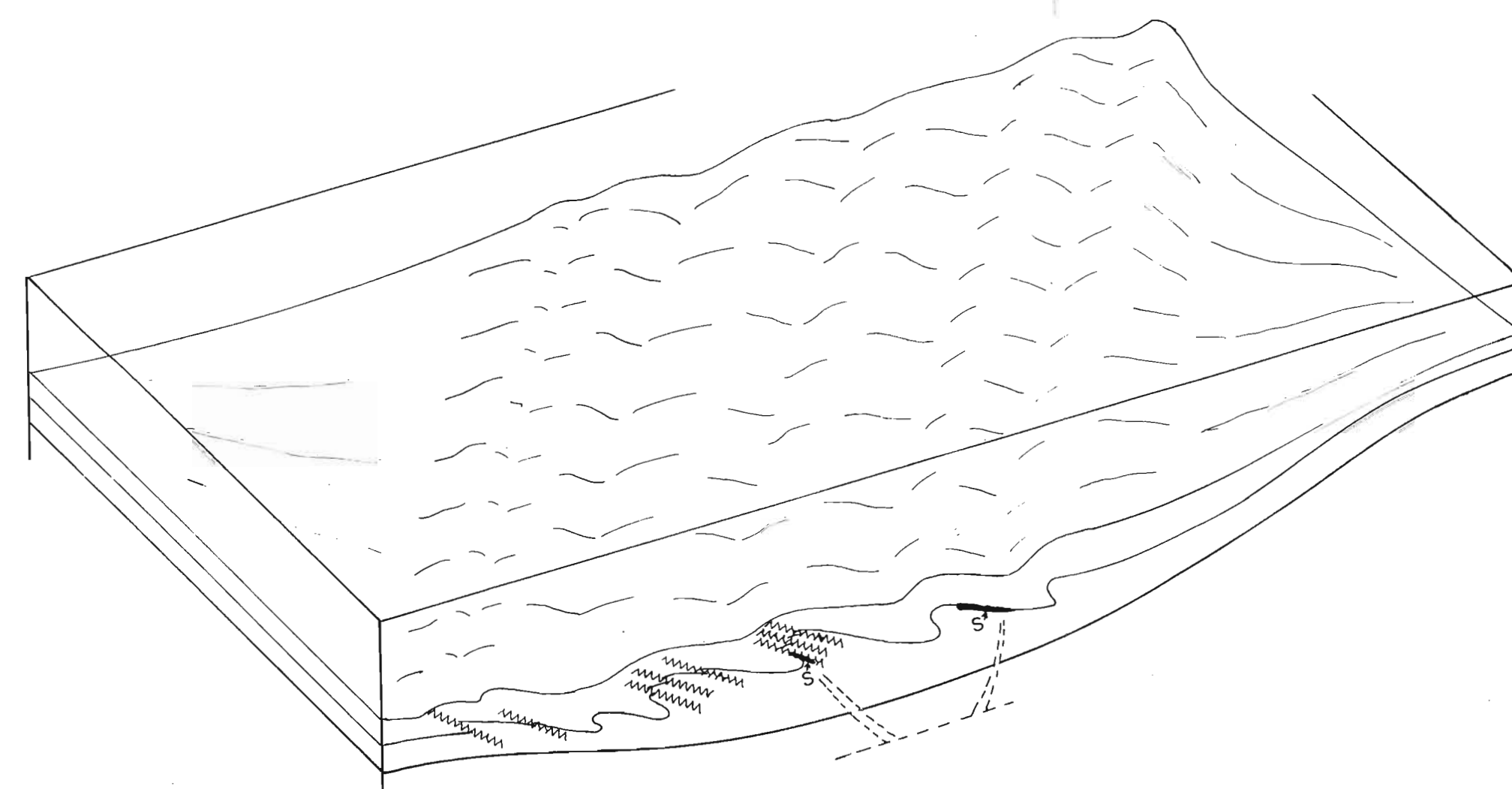
STAGE III: Transgression, deposition of the dolomite (ld) and conglomeratic greywacke (lcg)



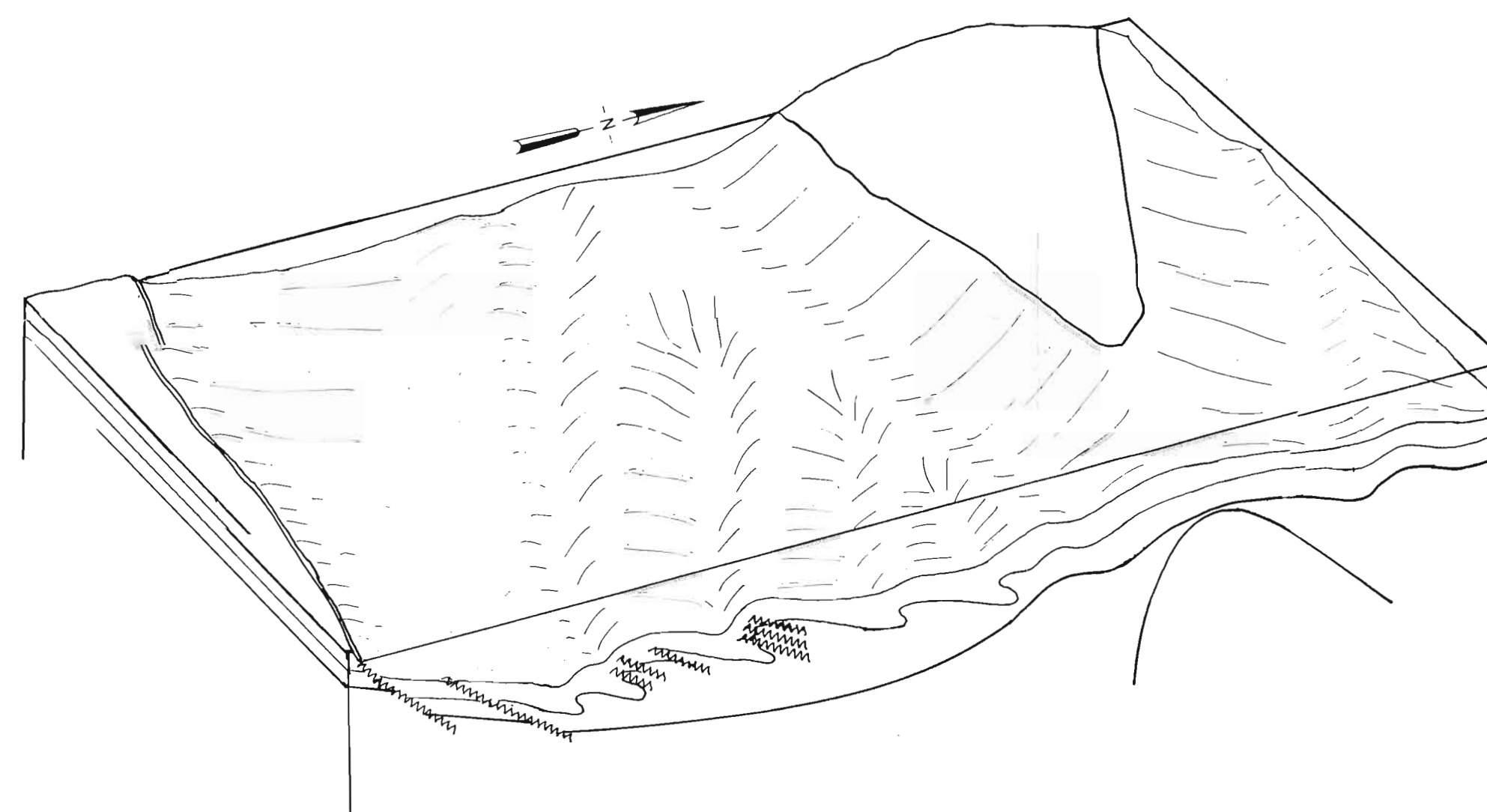
STAGE IV: Intrusion of the gabbro sills (3) and extrusion of the basalt flows (4)



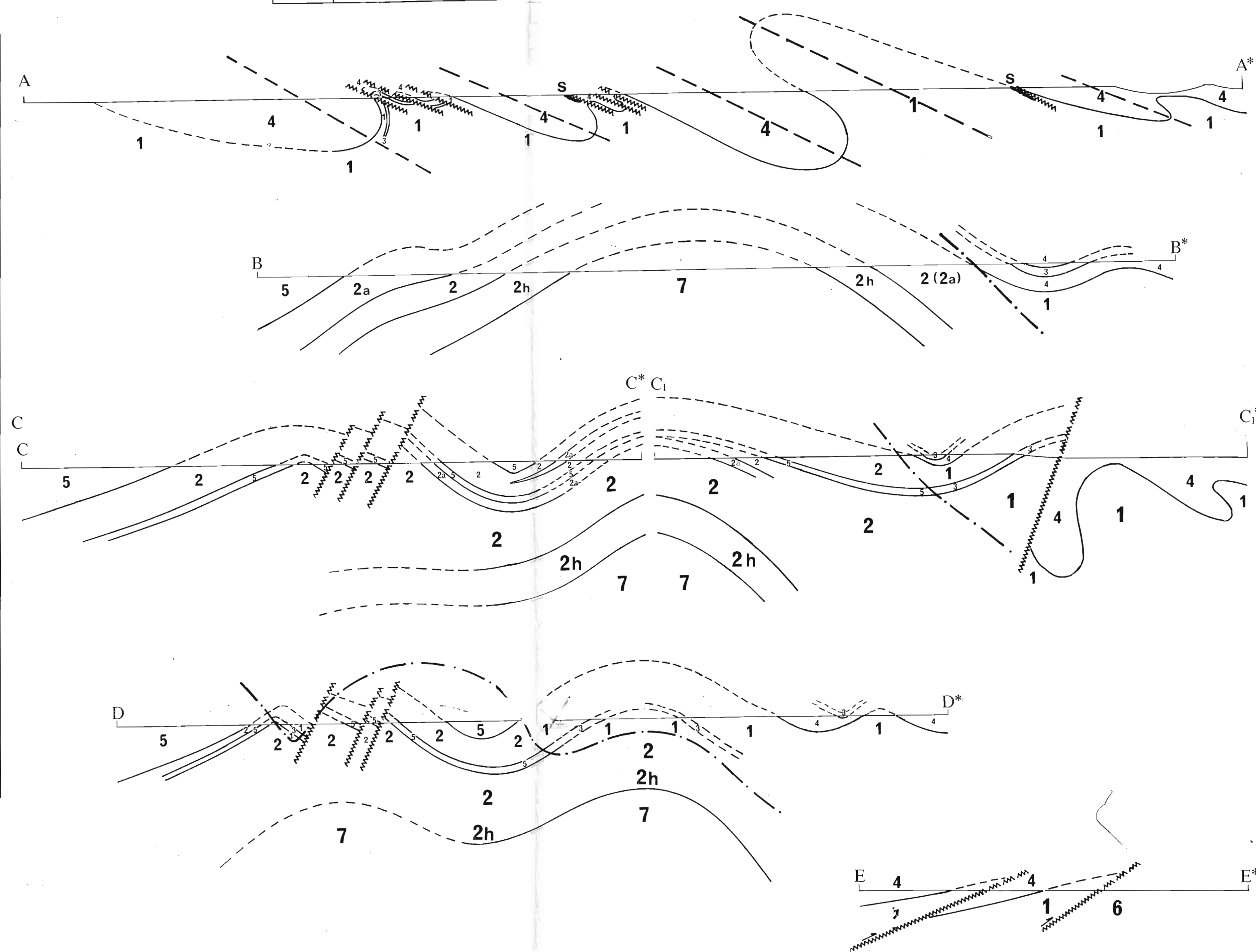
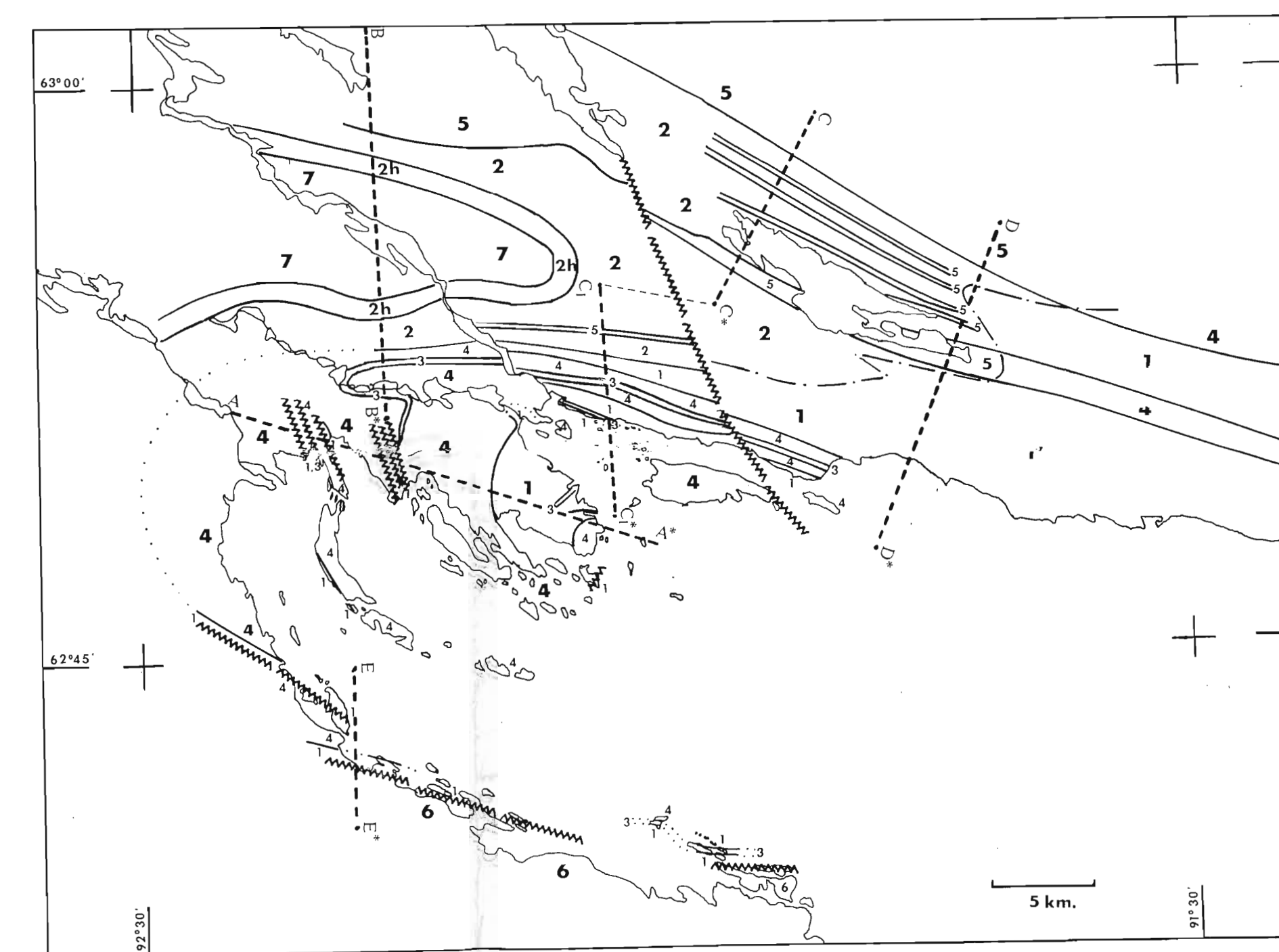
STAGE V: Formation of the first-generation folds and intrusion of the serpentinite (S)



STAGE VI: Intrusion of the granite and formation of the second-generation folds



# GEOLOGICAL CROSS-SECTIONS OF THE RANKIN INLET AREA



SYMBOLS		LEGEND	
	fault	3	gabbro sills
	fold axis (1st gen.)	7	granite
	limit of contact aureole	8	quartz monzonite
		2	biotite schist & gneiss
		2a	actinolite-biotite schist
		2h	hornblende horifels
		2h	actinolite-hornblende schist
		5	all derived from 1
		1	sedimentary rocks
		4	volcanic rocks
		5	serpentinite

Figure 25 : Diagrammatic representation of the evolution of the Rankin Inlet Group and simplified cross-sections of the Rankin Inlet area